

## FLOODLIGHT VALUE

Floodlight



### PRODUCT FEATURES

- Luminaire efficacy: up to 90 lm/W
- Symmetrical beam angle: 110° x 110°
- Mounting bracket for up to 180° tilting
- Type of protection: IP44
- Impact resistance: IK06 (10 W to 50 W), IK08 (from 100 W)

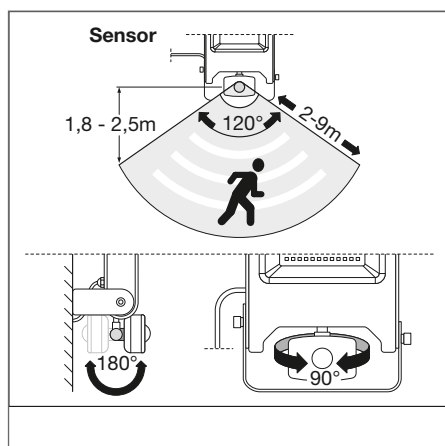
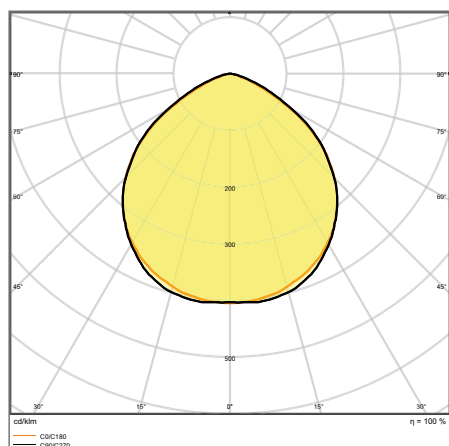
### PRODUCT BENEFITS

- Energy savings of up to 80 % compared to halogen lamp floodlights
- Semi-matt surface with great look and feel
- Quick and simple installation thanks to low profile, compact and light weight design
- 3 years guarantee

### AREAS OF APPLICATION

- Replacement for floodlights with halogen lamps
- Car parks and underpasses
- Public areas
- Building facades
- Construction areas

## FURTHER PRODUCT DETAILS



FLOODLIGHT VALUE 100 W 4000 K IP65 BK

<sup>1</sup> Versions with integrated sensor available | <sup>2</sup> Refer to [www.ledvance.com/guarantee](http://www.ledvance.com/guarantee) for precise conditions

The pictures shown in the catalog are for illustration purposes only. For information on size and color, please refer to the product table.

## FLOODLIGHT VALUE

## Floodlight

Product name	Segmentation	GTIN (EAN)	RE-PLACE-MENT FOR	W	lm	lm/W	K	L70 <sup>1</sup>	°
FLOODLIGHT VALUE 10 W 4000 K IP65 BK	■	4058075268586	80W HAL	10	800	80	4000	30000	110 ° x 110 °
FLOODLIGHT VALUE 20 W 4000 K IP65 BK	■	4058075268609	160W HAL	20	1700	85	4000	30000	110 ° x 110 °
FLOODLIGHT VALUE 30 W 4000 K IP65 BK	■	4058075268623	250W HAL	30	2700	90	4000	30000	110 ° x 110 °
FLOODLIGHT VALUE 50 W 4000 K IP65 BK	■	4058075268647	400W HAL	50	4500	90	4000	30000	110 ° x 110 °
FLOODLIGHT VALUE 100 W 4000 K IP65 BK	■	4058075268661	750W HAL	100	9000	88	4000	30000	110 ° x 110 °



Product name	CRI	IP	IK	g	KABEL-LÄNGE	L x W x H [mm] Ø x H [mm]
FLOODLIGHT VALUE 10 W 4000 K IP65 BK	≥80	IP65	IK06	280	500	108x93x33
FLOODLIGHT VALUE 20 W 4000 K IP65 BK	≥80	IP65	IK06	360	500	137x118x34
FLOODLIGHT VALUE 30 W 4000 K IP65 BK	≥80	IP65	IK06	650	500	175x153x39
FLOODLIGHT VALUE 50 W 4000 K IP65 BK	≥80	IP65	IK06	1050	500	295x270x70
FLOODLIGHT VALUE 100 W 4000 K IP65 BK	≥80	IP65	IK08	3500	1000	223x191x43

## FLOODLIGHT VALUE SENSOR

## Floodlight with motion and daylight sensor

Product name	Segmentation	GTIN (EAN)	RE-PLACE-MENT FOR	W	lm	lm/W	K	L70 <sup>1</sup>	°
FLOODLIGHT VALUE Sensor 10 W 4000 K IP44 BK	■	4058075268685	80W HAL	10	800	80	4000	30000	110 ° x 110 °
FLOODLIGHT VALUE Sensor 20 W 4000 K IP44 BK	■	4058075268708	160W HAL	20	1700	85	4000	30000	110 ° x 110 °
FLOODLIGHT VALUE Sensor 30 W 4000 K IP44 BK	■	4058075268722	250W HAL	30	2700	90	4000	30000	110 ° x 110 °
FLOODLIGHT VALUE Sensor 50 W 4000 K IP44 BK	■	4058075268746	400W HAL	50	4500	90	4000	30000	110 ° x 110 °



Product name	CRI	IP	IK	g	KABEL-LÄNGE	L x W x H [mm] Ø x H [mm]
FLOODLIGHT VALUE Sensor 10 W 4000 K IP44 BK	≥80	IP44	IK06	350	500	154x93x63
FLOODLIGHT VALUE Sensor 20 W 4000 K IP44 BK	≥80	IP44	IK06	490	500	178x118x66
FLOODLIGHT VALUE Sensor 30 W 4000 K IP44 BK	≥80	IP44	IK06	720	500	211x153x66
FLOODLIGHT VALUE Sensor 50 W 4000 K IP44 BK	≥80	IP44	IK06	1150	500	253x191x70

## SENSOR PROPERTIES

Product name	Type of sensor	Sensor technology	Detection threshold of daylight sensor	Detection range of motion sensor	Sensor detection angle	Sensor controlled switching time
FLOODLIGHT VALUE SENSOR	Motion/Light	Passive infrared (PIR)	10...2000 lx	2...9 m	120 °	10 s...10 min

<sup>1</sup> t [h]: L70/B50 @ 25 °C (Ta) / t [h]: L80/B10 @ 25 °C (Ta)