

## SURFACE COMPACT IK10

Wall and ceiling luminaire with high impact resistance



### PRODUCT FEATURES

- Housing and cover made from polycarbonate
- Impact resistance: IK10
- Glow Wire Test according to IEC 60695-2-12: 850 °C
- Through-wiring possible

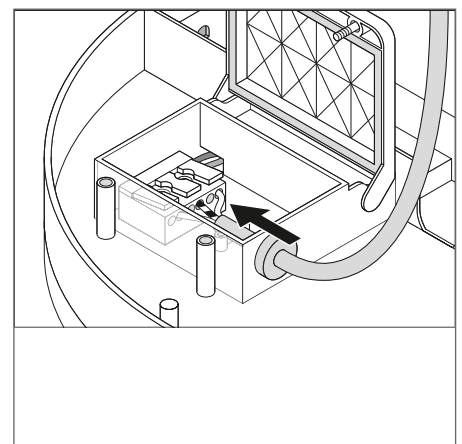
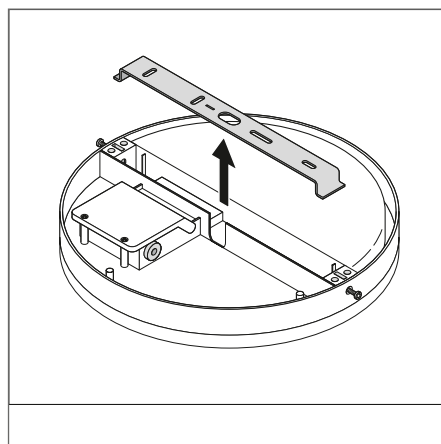
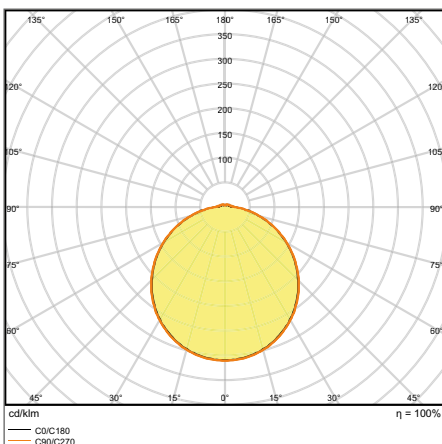
### PRODUCT BENEFITS

- Resistance against vandalism
- Transparent cover protects against dust and moisture
- LED protected for safe installation
- High luminous efficacy
- 5 years guarantee

### AREAS OF APPLICATION

- Corridors
- Stairways
- Bathrooms
- Foyers
- Public areas

## FURTHER PRODUCT DETAILS



SF COMPACT IK10 300 24 W 4000 K  
IP65 WT

<sup>1</sup> Refer to [www.ledvance.com/guarantee](http://www.ledvance.com/guarantee) for precise conditions

The pictures shown in the catalog are for illustration purposes only. For information on size and color, please refer to the product table.



Product name	Segmentation	GTIN (EAN)	RE-PLACE-MENT-FOR	W	lm	lm/W	K	L70 <sup>1</sup>	L80 <sup>1</sup>	°
SF COMPACT IK10 300 24 W 3000 K IP65 WT	■	4058075062207	2x18W CFLP	24	1800	75	3000	50000	30000	120
SF COMPACT IK10 300 24 W 4000 K IP65 WT	■	4058075062221	2x18W CFLP	24	1920	80	4000	50000	30000	120



Product name	CRI	FLICKER VALUE	IK	L x W x H [mm] Ø x H [mm]
SF COMPACT IK10 300 24 W 3000 K IP65 WT	>80	<5 %	IK10	300x61
SF COMPACT IK10 300 24 W 4000 K IP65 WT	>80	<5 %	IK10	300x61

<sup>1</sup> t [h]: L70/B50 @ 25 °C (Ta) / t [h]: L80/B10 @ 25 °C (Ta)