

TRACKLIGHT SPOT

3-phase tracklight spot with integrated control gear



PRODUCT FEATURES

- Robust die-cast aluminum housing
- Available in matt white (like RAL9016), matt black (like RAL9004) and concrete grey (like RAL7042)
- Very good color rendering index Ra: 90
- Rotation angle: 350°, tilt angle: 90°
- Equipped with reflectors with 24° beam angle

PRODUCT BENEFITS

- Deep reflector and black antiglare ring for minimized glare ($UGR \leq 16$)
- Accessory reflectors with 15° or 38° beam angle available
- Reflector easily replaceable thanks to bayonet catch and rubber suction pad
- Included 3-phase adapter compatible with common tracks (GLOBAL, POWERGEAR, EUTRAC, STAFF, NORLUX, NUCO, NORDIC)
- Low-flicker light

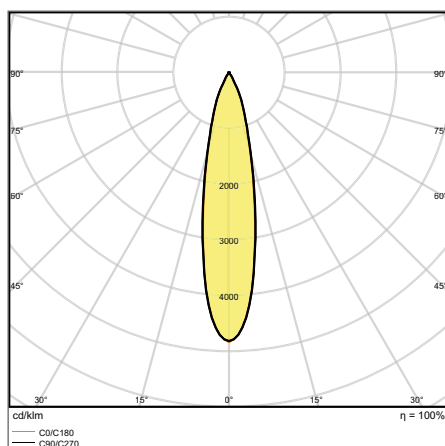
AREAS OF APPLICATION

- Direct replacement for luminaires using HID lamps
- Accent lighting
- Fashion shops, accessories shops
- Retail
- Hotels, restaurants, shops

EQUIPMENT / ACCESSORIES

- Accessory reflectors with 15° or 38° beam angle available*

FURTHER PRODUCT DETAILS



TRACK SP D95 55 W 4000 K 90RA NFL GY

Distance [m]	Cone diameter [m]	E(0°)	E(C90)	E(C0)	Illuminance [lx]
0.5	0.19 0.19	81247	11.0° 38656	10.9° 38871	
1.0	0.39 0.39	20312	11.0° 9664	10.9° 9718	
1.5	0.58 0.58	9027	11.0° 4295	10.9° 4319	
2.0	0.78 0.77	5078	11.0° 2416	10.9° 2429	
2.5	0.97 0.96	3250	11.0° 1546	10.9° 1555	
3.0	1.17 1.16	2257	11.0° 1074	10.9° 1080	

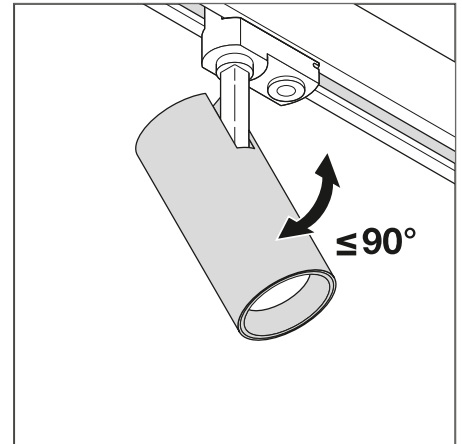
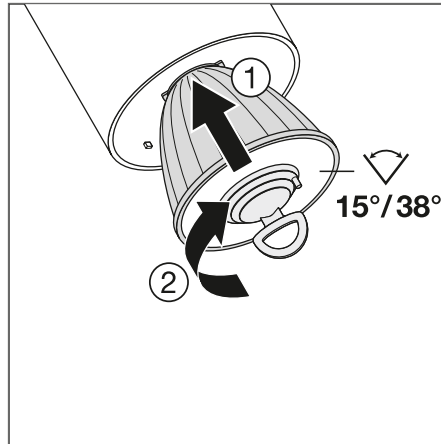
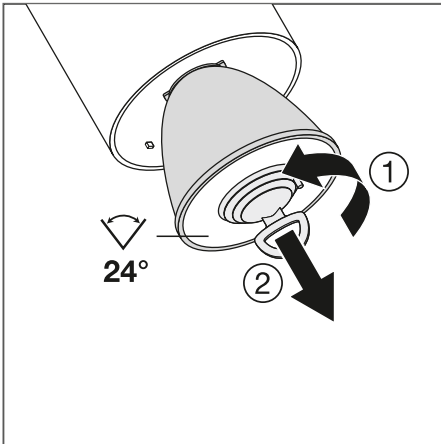
Distance [m] Cone diameter [m] Illuminance [lx]

— C0/C180 (Half beam angle [°]: 21.8°)
— C90/C270 (Half beam angle [°]: 22.0°)

TRACK SP D95 55 W 4000 K NFL

* Please note: available = available as an optional accessory.
 † Refer to www.ledvance.com/guarantee for precise conditions

The pictures shown in the catalog are for illustration purposes only. For information on size and color, please refer to the product table.

FURTHER PRODUCT DETAILS 

¹ t [h]: L70/B50 @ 25 °C (Ta) / t [h]: L80/B10 @ 25 °C (Ta)

Product name	Segmentation	GTIN (EAN)	REPLACEMENT FOR	W	lm	lm/W	K	L70 ¹	L80 ¹	△
TRACK SP D75 25 W 3000 K 90RA NFL WT	■	4058075113442	35W HID	25	1750	70	3000	50000	45000	24
TRACK SP D75 25 W 4000 K 90RA NFL WT	■	4058075113466	35W HID	25	1900	75	4000	50000	45000	24
TRACK SP D75 25 W 3000 K 90RA NFL BK	■	4058075113565	35W HID	25	1750	75	3000	50000	45000	24
TRACK SP D75 25 W 4000 K 90RA NFL BK	■	4058075113589	35W HID	25	1900	80	4000	50000	45000	24
TRACK SP D75 25 W 3000 K 90RA NFL GY	■	4058075113688	35W HID	25	1750	75	3000	50000	45000	24
TRACK SP D75 25 W 4000 K 90RA NFL GY	■	4058075113701	35W HID	25	1900	75	4000	50000	45000	24
TRACK SP D85 35 W 3000 K 90RA NFL WT	■	4058075113480	50WHID	35	2660	70	3000	50000	45000	24
TRACK SP D85 35 W 4000 K 90RA NFL WT	■	4058075113503	50WHID	35	2800	75	4000	50000	45000	24
TRACK SP D85 35 W 3000 K 90RA NFL BK	■	4058075113602	50WHID	35	2660	75	3000	50000	45000	24
TRACK SP D85 35 W 4000 K 90RA NFL BK	■	4058075113626	50WHID	35	2800	80	4000	50000	45000	24
TRACK SP D85 35 W 3000 K 90RA NFL GY	■	4058075113725	50W HID	35	2660	75	3000	50000	45000	24
TRACK SP D85 35 W 4000 K 90RA NFL GY	■	4058075113749	50W HID	35	2800	75	4000	50000	45000	24
TRACK SP D95 55 W 3000 K 90RA NFL WT	■	4058075113527	70W HID	55	4000	70	3000	50000	45000	24
TRACK SP D95 55 W 4000 K 90RA NFL WT	■	4058075113541	70W HID	55	4200	75	4000	50000	45000	24
TRACK SP D95 55 W 3000 K 90RA NFL BK	■	4058075113640	70W HID	55	4000	75	3000	50000	45000	24
TRACK SP D95 55 W 4000 K 90RA NFL BK	■	4058075113664	70W HID	55	4200	80	4000	50000	45000	24
TRACK SP D95 55 W 3000 K 90RA NFL GY	■	4058075113763	70W HID	55	4000	75	3000	50000	45000	24
TRACK SP D95 55 W 4000 K 90RA NFL GY	■	4058075113787	70W HID	55	4200	75	4000	50000	45000	24



Product name	CRI	FLICKER VALUE	9	L x W x H [mm]	Ø x H [mm]	Ⓛ No.
TRACK SP D75 25 W 3000 K 90RA NFL WT	90	<10 %	770	75x255	1	1
TRACK SP D75 25 W 4000 K 90RA NFL WT	90	<10 %	770	75x255	1	1
TRACK SP D75 25 W 3000 K 90RA NFL BK	90	<10 %	770	75x255	-	-
TRACK SP D75 25 W 4000 K 90RA NFL BK	90	<10 %	770	75x255	-	-
TRACK SP D75 25 W 3000 K 90RA NFL GY	90	<10 %	770	75x255	-	-
TRACK SP D75 25 W 4000 K 90RA NFL GY	90	<10 %	770	75x255	-	-
TRACK SP D85 35 W 3000 K 90RA NFL WT	90	<10 %	1020	85x267	-	-
TRACK SP D85 35 W 4000 K 90RA NFL WT	90	<10 %	1020	85x267	-	-
TRACK SP D85 35 W 3000 K 90RA NFL BK	90	<10 %	1020	85x267	-	-
TRACK SP D85 35 W 4000 K 90RA NFL BK	90	<10 %	1020	85x267	-	-
TRACK SP D85 35 W 3000 K 90RA NFL GY	90	<10 %	1020	85x267	-	-
TRACK SP D85 35 W 4000 K 90RA NFL GY	90	<10 %	1020	85x267	-	-
TRACK SP D95 55 W 3000 K 90RA NFL WT	90	<10 %	1520	95x297	-	-
TRACK SP D95 55 W 4000 K 90RA NFL WT	90	<10 %	1520	95x297	-	-
TRACK SP D95 55 W 3000 K 90RA NFL BK	90	<10 %	1520	95x297	2	2
TRACK SP D95 55 W 4000 K 90RA NFL BK	90	<10 %	1520	95x297	2	2
TRACK SP D95 55 W 3000 K 90RA NFL GY	90	<10 %	1520	95x297	3	3
TRACK SP D95 55 W 4000 K 90RA NFL GY	90	<10 %	1520	95x297	3	3

¹ t [h]: L70/B50 @ 25 °C (Ta) / t [h]: L80/B10 @ 25 °C (Ta)