

## FLOODLIGHT, 10 W - 50 W

Floodlight with reflector based, symmetric light distribution up to 120 lm/W



### PRODUCT FEATURES

- Aluminum housing with toughened glass, black or white
- Symmetrical beam angle: 100° x 100°
- Mounting bracket with 30° angle and wide rotation
- Connection via flexible 1 m cable, wiring required
- Surge protection: up to 4 kV (L/N-PE), 2 kV (L-N)

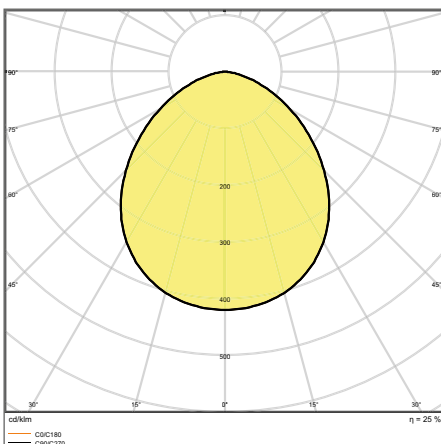
### PRODUCT BENEFITS

- Frosted cover made of tempered glass for uniform illumination
- Energy savings of up to 90 % compared to halogen lamp floodlights
- No upper light output ratio (ULOR 0%) when mounted at 0° tilt
- Impact resistance: IK08
- 5 years guarantee

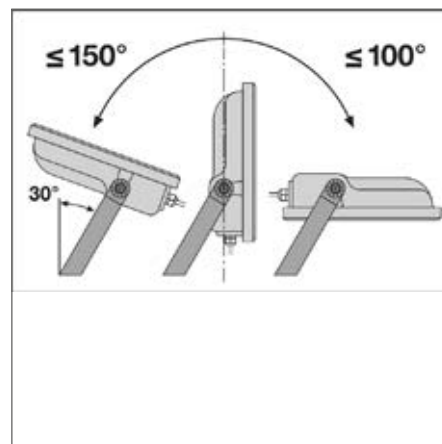
### AREAS OF APPLICATION

- Replacement for floodlights with halogen lamps
- Outdoor use (IP65)
- Public areas
- Building facades
- Construction areas

## FURTHER PRODUCT DETAILS



FL PFM 50 W 6500 K SYM 100 WT



<sup>1</sup> Refer to [www.ledvance.com/guarantee](http://www.ledvance.com/guarantee) for precise conditions

The pictures shown in the catalog are for illustration purposes only. For information on size and color, please refer to the product table.

Product name	Segmentation	GTIN (EAN)	RE-PLACE-MENT FOR	W	lm	lm/W	K	L70	L80	°
NEW FL PFM 10 W 3000 K SYM 100 BK	■	4058075420847	80W HAL	10	1100	110	3000	70000	55000	100 ° x 100 °
NEW FL PFM 10 W 3000 K SYM 100 WT	■	4058075420861	80W HAL	10	1100	110	3000	70000	55000	100 ° x 100 °
NEW FL PFM 10 W 4000 K SYM 100 BK	■	4058075420885	80W HAL	10	1200	120	4000	70000	55000	100 ° x 100 °
NEW FL PFM 10 W 4000 K SYM 100 WT	■	4058075420908	80W HAL	10	1200	120	4000	70000	55000	100 ° x 100 °
NEW FL PFM 10 W 6500 K SYM 100 BK	■	4058075420922	80W HAL	10	1200	120	6500	70000	55000	100 ° x 100 °
NEW FL PFM 10 W 6500 K SYM 100 WT	■	4058075420946	80W HAL	10	1200	120	6500	70000	55000	100 ° x 100 °
NEW FL PFM 20 W 3000 K SYM 100 BK	■	4058075420960	160W HAL	20	2200	110	3000	70000	55000	100 ° x 100 °
NEW FL PFM 20 W 3000 K SYM 100 WT	■	4058075420991	160W HAL	20	2200	110	3000	70000	55000	100 ° x 100 °
NEW FL PFM 20 W 4000 K SYM 100 BK	■	4058075421011	160W HAL	20	2400	120	4000	70000	55000	100 ° x 100 °
NEW FL PFM 20 W 4000 K SYM 100 WT	■	4058075421035	160W HAL	20	2400	120	4000	70000	55000	100 ° x 100 °
NEW FL PFM 20 W 6500 K SYM 100 BK	■	4058075421059	160W HAL	20	2400	120	6500	70000	55000	100 ° x 100 °
NEW FL PFM 20 W 6500 K SYM 100 WT	■	4058075421073	160W HAL	20	2400	120	6500	70000	55000	100 ° x 100 °
NEW FL PFM 30 W 3000 K SYM 100 BK	■	4058075421097	250W HAL	30	3300	110	3000	70000	55000	100 ° x 100 °
NEW FL PFM 30 W 3000 K SYM 100 WT	■	4058075421110	250W HAL	30	3300	110	3000	70000	55000	100 ° x 100 °
NEW FL PFM 30 W 4000 K SYM 100 BK	■	4058075421134	250W HAL	30	3600	120	4000	70000	55000	100 ° x 100 °
NEW FL PFM 30 W 4000 K SYM 100 WT	■	4058075421165	250W HAL	30	3600	120	4000	70000	55000	100 ° x 100 °
NEW FL PFM 30 W 6500 K SYM 100 BK	■	4058075421189	250W HAL	30	3600	120	6500	70000	55000	100 ° x 100 °
NEW FL PFM 30 W 6500 K SYM 100 WT	■	4058075421202	250W HAL	30	3600	120	6500	70000	55000	100 ° x 100 °
NEW FL PFM 50 W 3000 K SYM 100 BK	■	4058075421226	400W HAL	50	5500	110	3000	70000	55000	100 ° x 100 °
NEW FL PFM 50 W 3000 K SYM 100 WT	■	4058075421240	400W HAL	50	5500	110	3000	70000	55000	100 ° x 100 °
NEW FL PFM 50 W 4000 K SYM 100 BK	■	4058075421264	400W HAL	50	6000	120	4000	70000	55000	100 ° x 100 °
NEW FL PFM 50 W 4000 K SYM 100 WT	■	4058075421288	400W HAL	50	6000	120	4000	70000	55000	100 ° x 100 °
NEW FL PFM 50 W 6500 K SYM 100 BK	■	4058075421301	400W HAL	50	6000	120	6500	70000	55000	100 ° x 100 °
NEW FL PFM 50 W 6500 K SYM 100 WT	■	4058075421325	400W HAL	50	6000	120	6500	70000	55000	100 ° x 100 °



Product name	CRI	IK	KABEL-LÄNGE	L x W x H [mm]	Ø x H [mm]
NEW FL PFM 10 W 3000 K SYM 100 BK	≥80	IK07	400	1000	122 x 131 x 36
NEW FL PFM 10 W 3000 K SYM 100 WT	≥80	IK07	400	1000	122 x 131 x 36
NEW FL PFM 10 W 4000 K SYM 100 BK	≥80	IK07	400	1000	122 x 131 x 36
NEW FL PFM 10 W 4000 K SYM 100 WT	≥80	IK07	400	1000	122 x 131 x 36
NEW FL PFM 10 W 6500 K SYM 100 BK	≥80	IK07	400	1000	122 x 131 x 36
NEW FL PFM 10 W 6500 K SYM 100 WT	≥80	IK07	400	1000	122 x 131 x 36
NEW FL PFM 20 W 3000 K SYM 100 BK	≥80	IK07	520	1000	144 x 156 x 42
NEW FL PFM 20 W 3000 K SYM 100 WT	≥80	IK07	520	1000	144 x 156 x 42
NEW FL PFM 20 W 4000 K SYM 100 BK	≥80	IK07	520	1000	144 x 156 x 42
NEW FL PFM 20 W 4000 K SYM 100 WT	≥80	IK07	520	1000	144 x 156 x 42
NEW FL PFM 20 W 6500 K SYM 100 BK	≥80	IK07	520	1000	144 x 156 x 42
NEW FL PFM 20 W 6500 K SYM 100 WT	≥80	IK07	520	1000	144 x 156 x 42
NEW FL PFM 30 W 3000 K SYM 100 BK	≥80	IK07	700	1000	177 x 186 x 42
NEW FL PFM 30 W 3000 K SYM 100 WT	≥80	IK07	700	1000	177 x 186 x 42
NEW FL PFM 30 W 4000 K SYM 100 BK	≥80	IK07	700	1000	177 x 186 x 42
NEW FL PFM 30 W 4000 K SYM 100 WT	≥80	IK07	700	1000	177 x 186 x 42
NEW FL PFM 30 W 6500 K SYM 100 BK	≥80	IK07	700	1000	177 x 186 x 42
NEW FL PFM 30 W 6500 K SYM 100 WT	≥80	IK07	700	1000	177 x 186 x 42
NEW FL PFM 50 W 3000 K SYM 100 BK	≥80	IK07	1000	1000	206 x 218 x 46
NEW FL PFM 50 W 3000 K SYM 100 WT	≥80	IK07	1000	1000	206 x 218 x 46
NEW FL PFM 50 W 4000 K SYM 100 BK	≥80	IK07	1000	1000	206 x 218 x 46
NEW FL PFM 50 W 4000 K SYM 100 WT	≥80	IK07	1000	1000	206 x 218 x 46
NEW FL PFM 50 W 6500 K SYM 100 BK	≥80	IK07	1000	1000	206 x 218 x 46
NEW FL PFM 50 W 6500 K SYM 100 WT	≥80	IK07	1000	1000	206 x 218 x 46

<sup>1</sup> t [h]: L70/B50 @ 25 °C (Ta) / t [h]: L80/B10 @ 25 °C (Ta)