

NIGHT BREAKER LED C5W ECE

NIGHT BREAKER LED C5W ECE



ECE Street-Legal¹⁾

Fully homologated in accordance with ECE R37 and therefore approved in all ECE member states



Approved for all 12V vehicle models¹⁾

Approved for all 12V vehicle models for all lighting functions in which a C5W bulb is in use



Up to 5 times longer lifetime³⁾

Vibration resistant, environmentally friendly, and cost-efficient



Cool white & 6000K

The perfect match. Modern and intense white light with a color temperature similar to daylight



A revolutionary development in the retrofitting lamp sector. The new ECE street legal NIGHT BREAKER LED C5W ECE

Innovation meets sophisticated simplicity.

OSRAM's new NIGHT BREAKER LED C5W ECE is fully homologated according to ECE R37 and consequently approved for all 12V vehicles in all ECE member states for all light functions where a C5W is applicable as a suitable replacement¹⁾. It has never been so convenient to convert from halogen to LED. The lamp's ECE R37 homologation eliminates the need for matching headlamp approval numbers, carrying official approval documents, or applying stickers. One lamp, multiple applications. With their universal polarity and wide range of applications, they can be used as a replacement for interior lighting, reading lights, door lighting, side marker lights, entry lighting, license plate lighting, and in any other application where the C5W can be required. Versatile LED Upgrade with harmonized performance.

The OSRAM NIGHT BREAKER LED C5W ECE delivers an extra bright²⁾, cool white light with a color temperature of up to 6000 Kelvin, offering a sleek, modern appearance. It is designed to work in perfect harmony, as an ideal complement and a perfect addition with OSRAM's NIGHT BREAKER LED range for low beam, high beam, and fog light applications as a comprehensive LED light upgrade but for sure can also serve as a high-performance standalone upgrade. Sustainable Illumination. Compared to traditional signal lamps, the NIGHT BREAKER LED C5W ECE

consumes up to 80% less energy³⁾, contributing to enhanced fuel efficiency. Its service life — up to five times longer — significantly reduces maintenance intervals and material consumption, resulting in lower waste generation. Supplied in plastic-free packaging, the product promotes resource conservation throughout its entire lifecycle. Engineered to endure. OSRAM products are innovative and technologically high-quality products that are carefully tested and subject to the strict monitoring undertaken by the OSRAM quality assurance system. Therefore, OSRAM offers a dedicated guarantee on all NIGHT BREAKER LED retrofit lamps⁴⁾. Ready to replace. You can now replace your conventional vehicle lamps with OSRAM's revolutionary NIGHT BREAKER LED retrofit lamps and experience trend-setting simplicity with ECE-road approval.

Product datasheet

Technical data

Product information

Product legal advice 1	1) Homologated in accordance with the applicable UN ECE R37 regulations
Product legal advice 2	2) Compared to the minimum requirements of ECE R112
Product legal advice 3	3) In comparison to traditional Halogen lamps
Product legal advice 4	4) For precise conditions please refer to: www.osram.com/am-guarantee
Application (Category and Product specific)	Position light, Interior light

Electrical Data

Power input	1 W
Test voltage	13.5 V
Nominal wattage	0 W
Nominal voltage	12 V

Photometric Data

Color temperature	6000 K
Nominal luminous flux	45 lm
Luminous flux tolerance	±25 %
Light color LED	Cool white

Physical Attributes & Dimensions



Length	36.0 mm
Lamp base	SV8.5-8
Diameter	11.0 mm

Lifetime Data

Product datasheet

Lifespan Tc	3000 hr
Lifespan B3	1500 hr

Capabilities

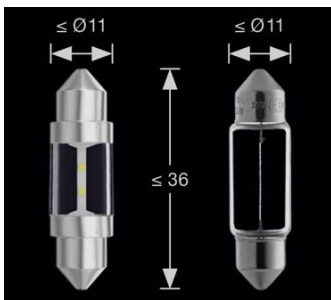
Technology	LED
------------	-----

Certificates & standards

Standards	ECE R37
-----------	---------

Environmental & Regulatory Information

Information according Art. 33 of EU Regulation (EC) 1907/2006 (REACH)	
Primary article identifier	4062172425162
Declaration no. in SCIP database	In work



ref_pim_amsproductinfographics



Logistical Data

Product code	Product description	Packaging unit (Pieces/Unit)	Dimensions (length x width x height)	Volume	Gross weight
4062172425162	NIGHT BREAKER LED C5W ECE	Hanging Folding Box 2	80 mm x 30 mm x 96 mm	0.23 dm ³	21.00 g
4062172425179	NIGHT BREAKER LED C5W ECE	Shipping carton box 10	159 mm x 89 mm x 106 mm	1.50 dm ³	131.00 g

The mentioned product code describes the smallest quantity unit which can be ordered. One shipping unit can contain one or more single products. When placing an order, for the quantity please enter single or multiples of a shipping unit.

Product datasheet

Download Data

File	
	User instruction GPRS_Safety symbols instructions
	User instruction NIGHT BREAKER LED C5W-LEDr

Safety advice

Application advice:

For more detailed application information and graphics please see the product datasheet, user manual and specification list

Legal advice

- 1) Homologated in accordance with the applicable UN ECE R37 regulations
- 2) Compared to the minimum requirements of ECE R112
- 3) In comparison to traditional Halogen lamps
- 4) For precise conditions please refer to: www.osram.com/am-guarantee

Application advice

For more detailed application information and graphics please see product datasheet.

Disclaimer

Subject to change without notice. Errors and omission excepted. Always make sure to use the most recent release.

OSRAM